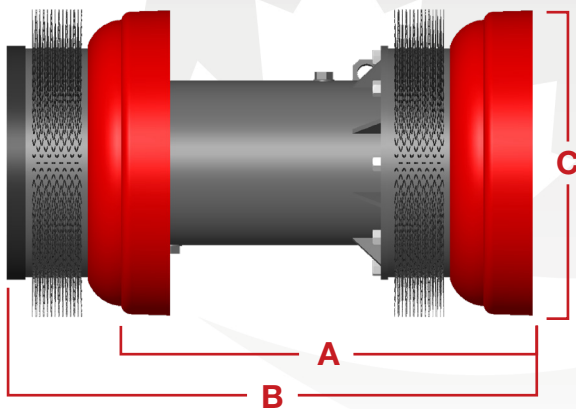


## DC2R

16-48" (406-1219mm)

The DC2R provides efficient cleaning capability. The DC2R features two Series C cups and two circular brushes. These multiple sealing components create a positive seal, while providing a bigger surface area resulting in improved cleaning ability.



Size	A	B	C	Part #
16"	22.250	28.500	16.000	60-3082-16
18"	23.750	30.125	17.875	60-3082-18
20"	26.125	32.875	19.875	60-3082-20
22"	28.375	35.375	21.875	60-3082-22
24"	31.000	37.875	23.875	60-3082-24
26"	33.125	40.500	25.875	60-3082-26
28"	35.500	43.000	28.000	60-3082-28
30"	37.375	45.375	29.875	60-3082-30
32"	39.625	47.500	32.000	60-3082-32
34"	41.875	49.625	34.000	60-3082-34
36"	43.875	52.250	36.000	60-3082-36
42"	50.625	59.250	42.125	60-3082-42
48"	54.750	64.000	47.750	60-3082-48

Designed to negotiate 3D or greater bends.

### Features & Benefits:

- Equipped with Series C cups made from Reliathane, Apache's special blend of wear-resistant polyurethane.
- Large wearing surface of the cup promotes longer life while the edge holds firmly against the pipe wall.
- Equipped with circular brushes.
- Every DC2R 16" – 48" pig is manufactured with by-pass ports. These ports feature threaded plugs that can be removed.
- Standard bumper noses cushion the pig and help to protect in-line auxiliary equipment.

### Options Available:

- CARVER discs. See page 5-20 for additional information.
- Aluminum Gauge Plates in standard styles or slotted styles. See page 6-4 for additional information.
- Radial and Block Brush options available. See pages 5-23 to 5-26 for additional information.
- Magnets to collect metallic debris. See page 6-2 for additional information.
- Transmitter Cavity to accommodate electronic tracking equipment. See page 6-5 for additional information.
- Rattlers. See page 6-5 for additional information.