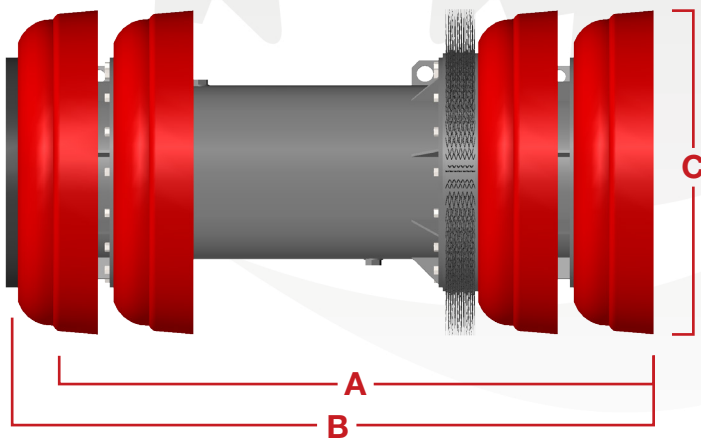


SC4R

16-48" (406-1219mm)

Apache developed the SC4R to give smaller gathering lines a moderate cleaning. The SC4R are equipped with a brush and four Series C cups. Brush options vary between sizes of pig. The SC4R was designed to negotiate moderate bends to make it an efficient cleaning tool.



Size	A	B	C	Part #
16"	32.808	35.771	16.000	60-3077-16
18"	34.479	37.661	17.875	60-3077-18
20"	38.207	41.663	19.875	60-3077-20
22"	41.438	45.200	21.875	60-3077-22
24"	44.516	48.230	23.875	60-3077-24
26"	47.676	51.895	25.875	60-3077-26
28"	51.171	55.425	28.000	60-3077-28
30"	55.085	59.733	29.875	60-3077-30
32"	57.380	62.070	32.000	60-3077-32
34"	59.720	64.290	34.000	60-3077-34
36"	61.925	67.041	36.000	60-3077-36
42"	70.004	75.353	42.188	60-3077-42
48"	76.215	82.151	47.750	60-3077-48

Features & Benefits:

Designed to negotiate 3D or greater bends.

- Equipped with Series C cups made from Reliathane, Apache's special blend of wear-resistant polyurethane.
- Large wearing surface of the cup promotes longer life while the edge holds firmly against the pipe wall.
- Equipped with circular brushes.
- Every SC4R 16" – 48" pig is manufactured with by-pass ports. These ports feature threaded plugs that can be removed.
- Standard bumper noses cushion the pig and help to protect in-line auxiliary equipment.

Options Available:

- CARVER discs. See page 5-20 for additional information.
- Aluminum Gauge Plates in standard styles or slotted styles. See page 6-4 for additional information.
- Radial and Block Brush options available. See pages 5-23 to 5-26 for additional information.
- Magnets to collect metallic debris. See page 6-2 for additional information.
- Transmitter Cavity to accommodate electronic tracking equipment. See page 6-5 for additional information.
- Rattlers. See page 6-5 for additional information.