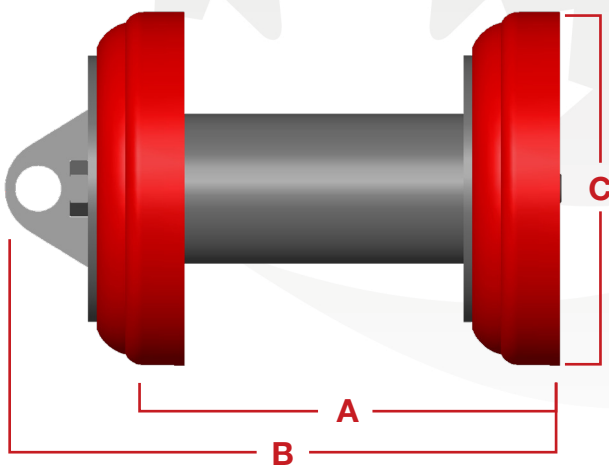


## UC2

6-14" (152-356mm)

The UC2 is typically used in light cleaning during the construction phase. However, it can be used in all phases of pipeline cleaning. The UC2 is equipped with two Series C cups specifically designed to perform efficiently and reliably.



Size	A	B	C	Part #
6"	8.000	11.750	6.375	70-3802-06
8"	10.375	13.625	8.500	70-3802-08
10"	12.875	16.625	10.625	70-3802-10
12"	15.125	19.375	12.750	70-3802-12
14"	17.625	21.875	13.875	70-3802-14

Designed to negotiate 1.5D and greater bends.

### Features & Benefits:

- Equipped with Series C cups made from Reliathane, Apache's special blend of wear-resistant polyurethane.
- Large wearing surface of the cup promotes longer life while the edge holds firmly against the pipe wall.

### Options Available:

- CARVER discs. See page 5-20 for additional information.
- Aluminum Gauge Plates in standard or slotted styles. See page 6-4 for additional information.
- Radial Brush options available. See page 5-23 for additional information.
- Magnets to collect metallic debris. See page 6-2 for additional information.