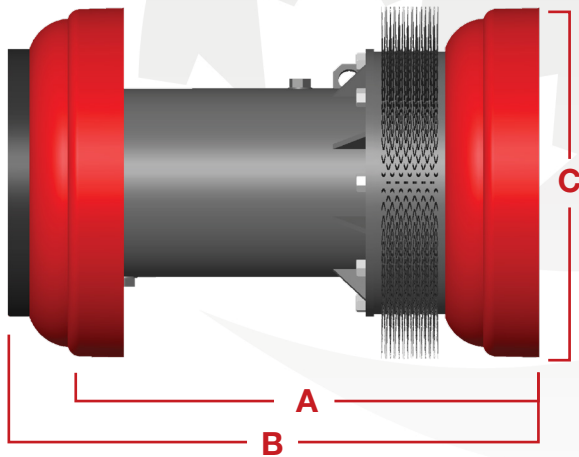


## SC2R

16-48" (406-1219mm)

Apache developed the SC2R to give smaller gathering lines a moderate cleaning. The SC2R pigs are equipped with a brush and two Series C cups. Brush options vary between sizes of pig. The SC2R was designed to negotiate sharp bends to make it an efficient cleaning tool.



Size	A	B	C	Part #
16"	19.302	22.265	16.000	60-3075-16
18"	23.713	26.895	17.875	60-3075-18
20"	26.161	29.617	19.875	60-3075-20
22"	28.338	21.100	21.875	60-3075-22
24"	30.964	34.678	23.875	60-3075-24
26"	33.124	37.343	25.875	60-3075-26
28"	35.471	39.815	28.000	60-3075-28
30"	37.431	42.079	29.875	60-3075-30
32"	39.620	44.310	32.000	60-3075-32
34"	41.860	46.430	34.000	60-3075-34
36"	43.871	48.987	36.000	60-3075-36
42"	50.636	55.985	42.188	60-3075-42
48"	56.531	62.467	47.750	60-3075-48

### Features & Benefits:

- Equipped with Series C cups. Made from Reliathane, Apache's special blend of wear-resistant polyurethane.
- Large wearing surface of the cup promotes longer life while the edge holds firmly against the pipe wall.
- Equipped with pitPRO™ steel brush.
- Every SC2R 16" – 48" pig is manufactured with by-pass ports. These ports feature threaded plugs that can be removed.
- Standard bumper noses cushion the pig and help to protect in-line auxiliary equipment.

Designed to negotiate 1.5D or greater bends.

### Options Available:

- CARVER discs. See page 5-20 for additional information.
- Aluminum Gauge Plates in standard styles or slotted styles. See page 6-4 for additional information.
- Radial and Block Brush options available. See pages 5-23 to 5-26 for additional information.
- Magnets to collect metallic debris. See page 6-2 for additional information.
- Transmitter Cavity to accommodate electronic tracking equipment. See page 6-5 for additional information.
- Rattlers. See page 6-5 for additional information.