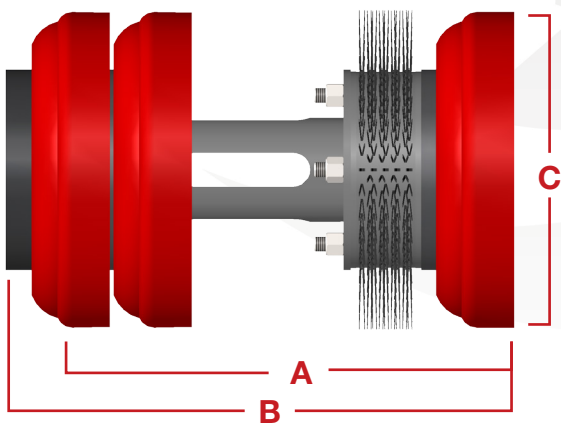


## UTR-SC3R

6-14" (152-356mm)

The UT mandrel was designed to house a transmitter located in the center of the slotted universal mandrel. It can also accommodate virtually any configuration of cup, disc and brush. This allows the pig to clean and batch many dissimilar fluids.

Apache developed the UTR-SC3R to give smaller gathering lines a moderate cleaning. The UTR-SC3R pigs are equipped with a brush and three Series C cups. Brush options vary between sizes of pig. The UTR-SC3R was designed to negotiate sharp bends to make it an efficient cleaning tool.



Size	A	B	C	Part #
6"	10.290	11.840	6.375	60-3079-06
8"	12.800	14.560	8.500	60-3079-08
10"	15.240	17.160	10.625	60-3079-10
12"	18.900	21.190	12.750	60-3079-12
14"	22.190	24.840	13.875	60-3079-14

Designed to negotiate 3D or greater bends.

### Features & Benefits:

- Equipped with Series C cups made from Reliathane, Apache's special blend of wear-resistant polyurethane.
- Large wearing surface of the cup promotes longer life while the edge holds firmly against the pipe wall.
- Standard bumper noses cushion the pig and help to protect in-line auxiliary equipment.

### Options Available:

- CARVER discs. See page 5-20 for additional information.
- Aluminum Gauge Plates in standard or slotted styles. See page 6-4 for additional information.
- Radial Brush options available. See page 5-23 for additional information.
- Magnets to collect metallic debris. See page 6-2 for additional information.