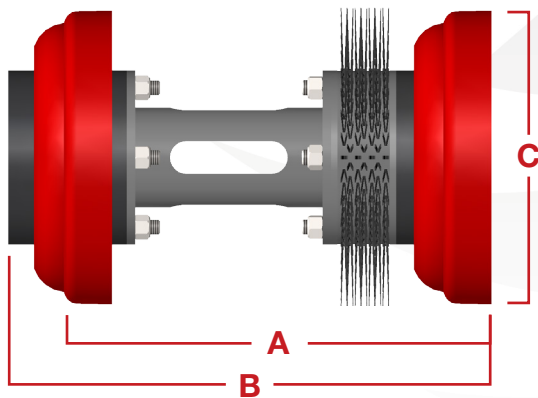


UTR-SC2R

6-14" (152-356mm)

The UT mandrel was designed to house a transmitter located in the center of the slotted universal mandrel. It can also accommodate virtually any configuration of cup, disc and brush. This allows the pig to clean and batch many dissimilar fluids.

Apache developed the UTR-SC2R to give smaller gathering lines a moderate cleaning. The UTR-SC2R pigs are equipped with a brush and two Series C cups. Brush options vary between sizes of pig. The UTR-SC2R was designed to negotiate sharp bends to make it an efficient cleaning tool.



Size	A	B	C	Part #
6"	9.760	11.310	6.375	60-3078-06
8"	12.140	13.900	8.500	60-3078-08
10"	14.480	16.400	10.625	60-3078-10
12"	18.030	20.320	12.750	60-3078-12
14"	20.670	22.310	13.875	60-3078-14

Designed to negotiate 1.5D or greater bends.

Features & Benefits:

- Equipped with Series C cups made from Reliathane, Apache's special blend of wear-resistant polyurethane.
- Large wearing surface of the cup promotes longer life while the edge holds firmly against the pipe wall.
- Standard bumper noses cushion the pig and help to protect in-line auxiliary equipment.

Options Available:

- CARVER discs. See page 5-20 for additional information.
- Aluminum Gauge Plates in standard or slotted styles. See page 6-4 for additional information.
- Radial Brush options available. See page 5-23 for additional information.
- Magnets to collect metallic debris. See page 6-2 for additional information.