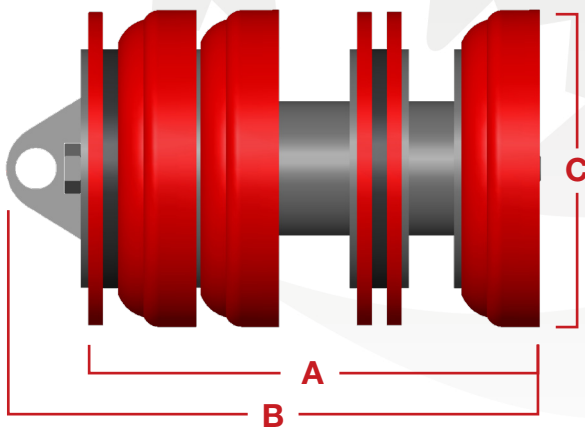


XF

6-14" (152-356mm)

The XF is primarily used for batching dissimilar fluid. With its standard three cup – three sealing disc design, the XF pig provides a positive seal between fluids for efficient batching and separating. It is typically used for longer distance operations.



Size	A	B	C	Part #
6"	10.250	12.500	6.375	70-6786-06
8"	11.500	13.875	8.500	70-6786-08
10"	15.125	18.000	10.625	70-6786-10
12"	18.000	20.875	12.750	70-6786-12
14"	20.625	23.375	13.875	70-6786-14

Designed to negotiate 3D or greater bends.

Features & Benefits:

- Equipped with Series C cups and discs made from Reliathane, Apache's special blend of wear-resistant polyurethane.
- Large wearing surface of the cup promotes longer life while the edge holds firmly against the pipe wall.

Options Available:

- CARVER discs. See page 5-20 for additional information.
- Aluminum Gauge Plates in standard or slotted styles. See page 6-4 for additional information.
- Radial Brush options available. See page 5-23 for additional information.
- Magnets to collect metallic debris. See page 6-2 for additional information.