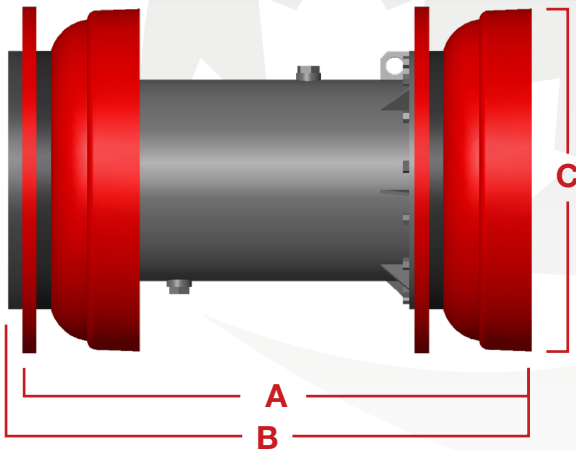


DCD

16-48" (406-1219mm)

The DCD is an effective pig for batching and separating. The DCD is equipped with two sealing discs and two Series C cups. These multiple sealing components create a positive seal between dissimilar fluids, while providing a larger sealing surface area.



Size	A	B	C	Part #
16"	24.000	25.000	16.000	70-6830-16
18"	25.625	26.625	17.875	70-6830-18
20"	28.875	29.875	19.875	70-6830-20
22"	31.375	32.375	21.875	70-6830-22
24"	34.375	35.375	23.875	70-6830-24
26"	37.000	38.000	25.875	70-6830-26
28"	39.875	41.000	28.000	70-6830-28
30"	42.250	43.375	29.875	70-6830-30
32"	44.750	46.000	32.000	70-6830-32
34"	46.875	48.125	34.000	70-6830-34
36"	49.875	51.250	36.000	70-6830-36
42"	57.250	58.750	42.125	70-6830-42
48"	62.750	64.500	47.750	70-3804-48

Features & Benefits:

- Equipped with Series C cups and discs made from Reliathane, Apache's special blend of wear-resistant polyurethane.
- Large wearing surface of the cup promotes longer life while the edge holds firmly against the pipe walls.
- Every DCD 16" – 48" pig is manufactured with by-pass ports. These ports feature threaded plugs that can be removed.
- Standard bumper noses cushion the pig and help to protect in-line auxiliary equipment.

Designed to negotiate 1.5D or greater bends.

Options Available:

- CARVER discs. See page 5-20 for additional information.
- Aluminum Gauge Plates in standard styles or slotted styles. See page 6-4 for additional information.
- Radial and Block Brush options available. See pages 5-23 to 5-26 for additional information.
- Magnets to collect metallic debris. See page 6-2 for additional information.
- Transmitter Cavity to accommodate electronic tracking equipment. See page 6-5 for additional information.
- Rattlers. See page 6-5 for additional information.