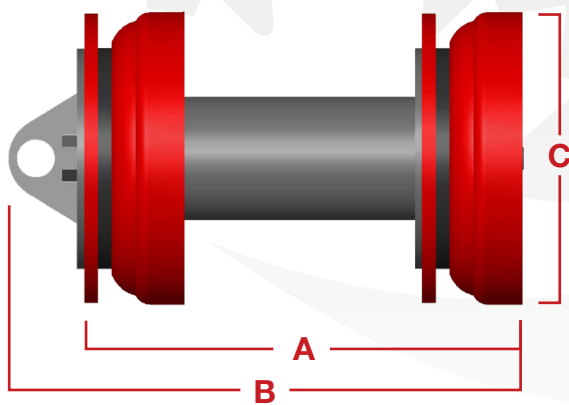


DCD

6-14" (152-356mm)

The DCD is an effective pig for batching and separating. The DCD is equipped with two sealing discs and two Series C cups. These multiple sealing components create a positive seal between dissimilar fluids, while providing a larger sealing surface area.



Size	A	B	C	Part #
6"	9.375	12.250	6.375	70-6830-06
8"	13.375	16.250	8.500	70-6830-08
10"	15.875	19.000	10.625	70-6830-10
12"	19.125	21.875	12.750	70-6830-12
14"	19.625	22.375	13.875	70-6830-14

Designed to negotiate 1.5D or greater bends.

Features & Benefits:

- Equipped with Series C cups and discs made from Reliathane, Apache's special blend of wear-resistant polyurethane.
- Large wearing surface of the cup promotes longer life while the edge holds firmly against the pipe wall.

Options Available:

- CARVER discs. See page 5-20 for additional information.
- Aluminum Gauge Plates in standard or slotted styles. See page 6-4 for additional information.
- Radial Brush options available. See page 5-23 for additional information.
- Magnets to collect metallic debris. See page 6-2 for additional information.