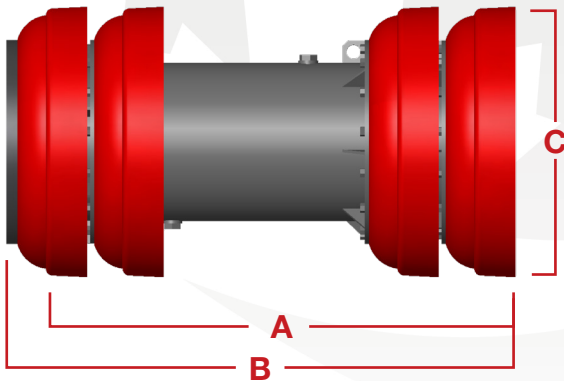


UC4

16-48" (406-1219mm)

The UC4 is typically used in light cleaning during the construction phase. However, it can be used in all phases of pipeline cleaning. The UC4 is equipped with four Series C cups specifically designed to perform efficiently and reliably.



Size	A	B	C	Part #
16"	26.500	29.500	16.000	70-3804-16
18"	29.250	31.375	17.875	70-3804-18
20"	33.500	36.875	19.875	70-3804-20
22"	38.125	42.000	21.875	70-3804-22
24"	41.250	45.000	23.875	70-3804-24
26"	44.375	48.625	25.875	70-3804-26
28"	47.875	52.125	28.000	70-3804-28
30"	51.875	56.500	29.875	70-3804-30
32"	54.125	58.875	32.000	70-3804-32
34"	56.500	61.000	34.000	70-3804-34
36"	58.625	63.750	36.000	70-3804-36
42"	66.750	72.125	42.125	70-3804-42
48"	73.000	78.875	47.750	70-3804-48

Designed to negotiate 1.5D and greater bends.

Features & Benefits:

- Equipped with Series C cups made from Reliathane, Apache's special blend of wear-resistant polyurethane.
- Large wearing surface of the cup promotes longer life while the edge holds firmly against the pipe wall.
- Every UC 16" – 48" pig is manufactured with by-pass ports. These ports feature threaded plugs that can be removed.
- Standard bumper noses cushion the pig and help to protect in-line auxiliary equipment.

Options Available:

- CARVER discs. See page 5-20 for additional information.
- Aluminum Gauge Plates in standard styles or slotted styles. See page 6-4 for additional information.
- Radial and Block Brush options available. See pages 5-23 to 5-26 for additional information.
- Magnets to collect metallic debris. See page 6-2 for additional information.
- Transmitter Cavity to accommodate electronic tracking equipment. See page 6-5 for additional information.
- Rattlers. See page 6-5 for additional information.