



Model 55-0000

pigPRO™

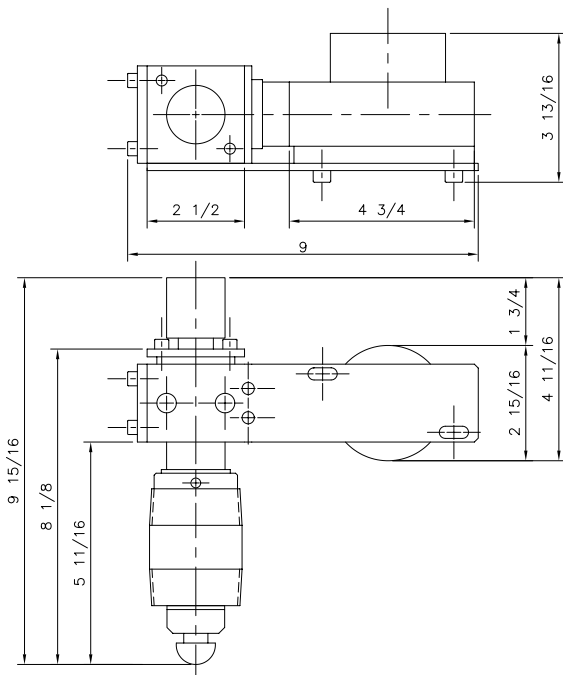
**Electrical Indication
Auto Reset**

Features

Basic **Model 55-0000** is an electrical indicator with automatic reset. It includes a thread mounting nipple, standard lower housing with fluorocarbon O-Rings, hemispherical plunger and weather sealed & explosion proof limit switch.

The switch employed on this model is NEMA rated, UL listed and CSA certified to suit most applications.

Dimensions



Options

Flange Mount



Flange base models are manufactured to mount to existing flanged connections and are available in class 150, 300, 600 or 900 ANSI flanges.

Conversions kits are also available which enable installation onto the mountings of other manufacturers.

Extension Pole



Aluminum extensions can be attached to enable detection of the pigs passage on buried pipelines. All pressure sealing components remain below the extension module.

Available in lengths 2' to 8'.

Apache **pigPRO™** Indicators are protected by US Patent No. 5,263,220