



apache
pipeline products

Section 7

pigPRO™

Intrusive Indicators





pigPRO™

Options

Indicator Type:

- Visual indication with manual reset.
- Electrical indication with auto reset.
- Combination visual/electrical indication.

Mounts:

- Threaded version mounts to welded, forged steel thread-o-let.
- Flanged version mounts to existing flanged process connection.

Seals:

- Special elastomer materials are available.

Extensions:

- Available in 2, 4, 6 and 8 foot lengths.
- Available with any indicator type.

Description

The patented Apache **pigPRO™** indicator is designed to accurately detect the passage of a pipeline cleaner traveling within a pipeline system. It is considered an intrusive model as the plunger actually penetrates the pipe bore. The intruding plunger is actuated by the passage of a pipeline cleaner thereby activating either a visual or electrical indicator, or a combination of both.

Features

Manufactured at our Edmonton, Canada facility, these rugged units are constructed of stainless steel internal parts impregnated with a durable corrosion resistant coating. Standard features include bi-directional activation, on-stream installation or removal capability and adjustable plunger sensitivity and penetration. Apache's unique patented fluid seal design does not allow paraffin or other objects to obstruct the operational mechanisms thus ensuring positive indication of the pig's passage. The engineering of our hemispherical plunger has eliminated the need for the operator to align the device, an inherent problem with other industry designs.

Apache **pigPRO™** Indicators are protected by US Patent No. 5,263,220



Model 53-0000

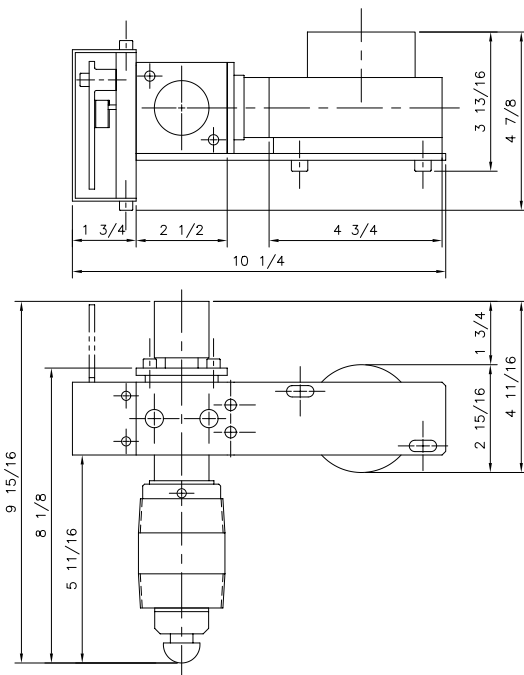
pigPRO™

**Visual/Electrical Indication
Manual/Auto Reset**

Features

Basic **Model 53-0000** is a combined visual/electrical indicator with manual/automatic reset. It includes a thread mounting nipple, standard lower housing with fluorocarbon O-Rings, hemispherical plunger with a flag assembly and weather sealed & explosion proof limit switch. The switch employed on this model is NEMA rated, UL listed and CSA certified to suit most applications.

Dimensions



Options

Flange Mount



Flange base models are manufactured to mount to existing flanged connections and are available in class 150, 300, 600 or 900 ANSI flanges.

Conversions kits are also available which enable installation onto the mountings of other manufacturers.

Extension Pole



Aluminum extensions can be attached to enable detection of the pigs passage on buried pipelines. All pressure sealing components remain below the extension module.

Available in lengths 2' to 8'.

Apache **pigPRO™** Indicators are protected by US Patent No. 5,263,220



Model 55-0000

pigPRO™

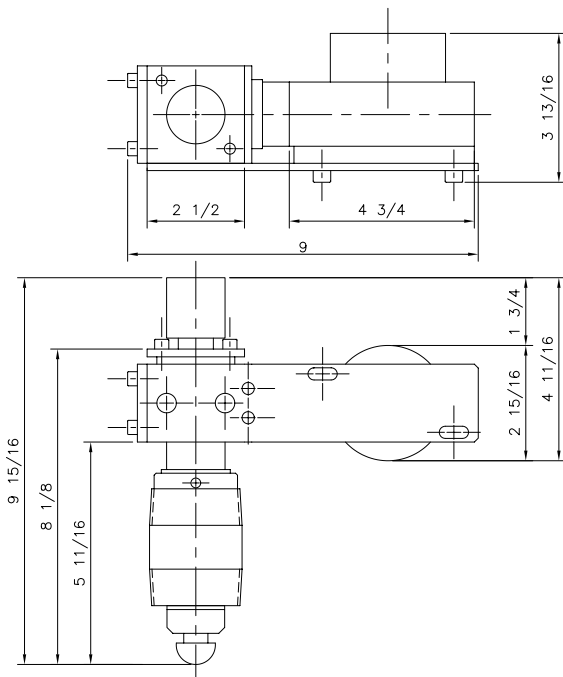
**Electrical Indication
Auto Reset**

Features

Basic **Model 55-0000** is an electrical indicator with automatic reset. It includes a thread mounting nipple, standard lower housing with fluorocarbon O-Rings, hemispherical plunger and weather sealed & explosion proof limit switch.

The switch employed on this model is NEMA rated, UL listed and CSA certified to suit most applications.

Dimensions



Options

Flange Mount



Flange base models are manufactured to mount to existing flanged connections and are available in class 150, 300, 600 or 900 ANSI flanges.

Conversions kits are also available which enable installation onto the mountings of other manufacturers.

Extension Pole



Aluminum extensions can be attached to enable detection of the pigs passage on buried pipelines. All pressure sealing components remain below the extension module.

Available in lengths 2' to 8'.

Apache **pigPRO™** Indicators are protected by US Patent No. 5,263,220



Model 57-0000

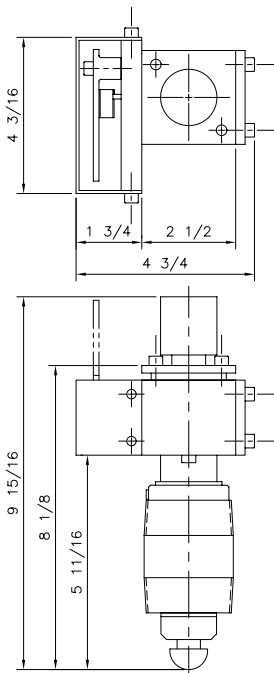
pigPRO™

**Visual Indication
Manual Reset**

Features

Our most popular **pigPRO™** the basic **Model 57-0000** is a visual flag indicator with manual reset. It includes a thread mounting nipple, standard lower housing with fluorocarbon O-Rings, hemispherical plunger with a flag assembly.

Dimensions



Options

Flange Mount



Flange base models are manufactured to mount to existing flanged connections and are available in class 150, 300, 600 or 900 ANSI flanges.

Conversions kits are also available which enable installation onto the mountings of other manufacturers.

Extension Pole



Aluminum extensions can be attached to enable detection of the pigs passage on buried pipelines. All pressure sealing components remain below the extension module.

Available in lengths 2' to 8'.

Apache **pigPRO™** Indicators are protected by US Patent No. 5,263,220

Technical Data

Electrical

LSX Limit Switch - weather sealed, explosion proof enclosures meet NEMA standards: 1, 3, 4, 6, 9 and 13. UL listed and CSA certified: Class I, Div.1, Groups B,C and D. Class II, Div.1, Groups E, F and G.

Electrical Ratings 10 amps continuous carry. Circuits on any pole must be the same polarity.

AC Volts		Pilot Duty : 600VAC, 720VA		
Electrical Rating	Circuitry	VAC	Amps at 0.35 Power Factor	
			Make	Break
B	Double Pole	120	30	3
		240	15	1.5
	Double Throw	480	7.5	0.75
		600	6	0.60

DC Volts		Pilot Duty : 240VDC, 30 watts		
Electrical Rating	Circuitry	VDC	Make and Break Amps	
			Inductive	Resistive
B	Double Pole	120	0.25	0.80
	Double Throw	240	0.15	0.40

Material

Description	Material
Internal Parts	<i>316 Stainless Steel</i>
Upper Housing	<i>Polyester Coated Aluminum</i>
Fasteners	<i>18-8 Stainless Steel</i>
Indicator Flag	<i>90 Durometer Polyurethane</i>
Mounting Base	<i>ASTM A-105 Carbon Steel</i>
Seals	<i>Fluorocarbon</i>
Springs	<i>302 Stainless Steel</i>
Thread Coating	<i>Impreglon</i>

Operating

Temperature Range: -40°F to + 194°F
 (-40°C to +90°C)

Adjustable Penetration: 3/4" (1.91 cm)

Maximum Reset Pressure: 3,000 PSI
 (21,000 KPA)

Please contact Apache if you require alternate specifications.

Apache **pigPRO™** Indicators are protected by US Patent No. 5,263,220