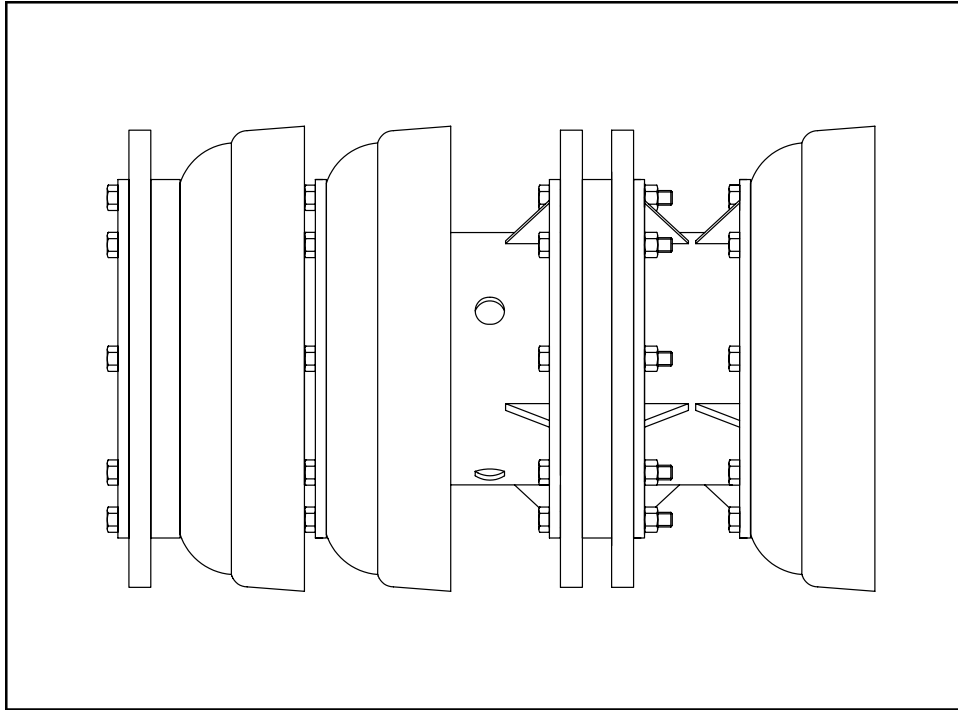



apache

world class - world wide

Scraper Cup Pigs

Rev.03/09/02


Batching Pigs
XF
16" - 48"
406mm - 1219mm

Options

The Apache **XF** series are available in sizes 6" (152mm) through 48" (1219mm).

-Scraper cups and sealing discs are available in different hardnesses and materials.

- Gauging plates of aluminum or steel, and either in slotted or standard styles.

- Transmitter housings to accommodate tracking equipment.

Apache will assist you in selecting the proper pig for your application.


Description

The **XF** pigs, with a combination of 3 sealing discs and 3 Apache Scraper Cups, provides a positive seal between dissimilar fluids and scraping compability. The increased surface contact area provided by the multiple sealing elements, significantly improves it's sealing effectiveness. **XF** are typically used for longer distance batching operations and for light cleaning of pipelines.

Cups and discs can be effortlessly changed or adapted to different configurations as the application dictates.


Features

Configuration of the **XF** pig offers a sealing arrangement suitable for separation of dissimilar fluids together with light scraping of pipeline during longer distance operations.