



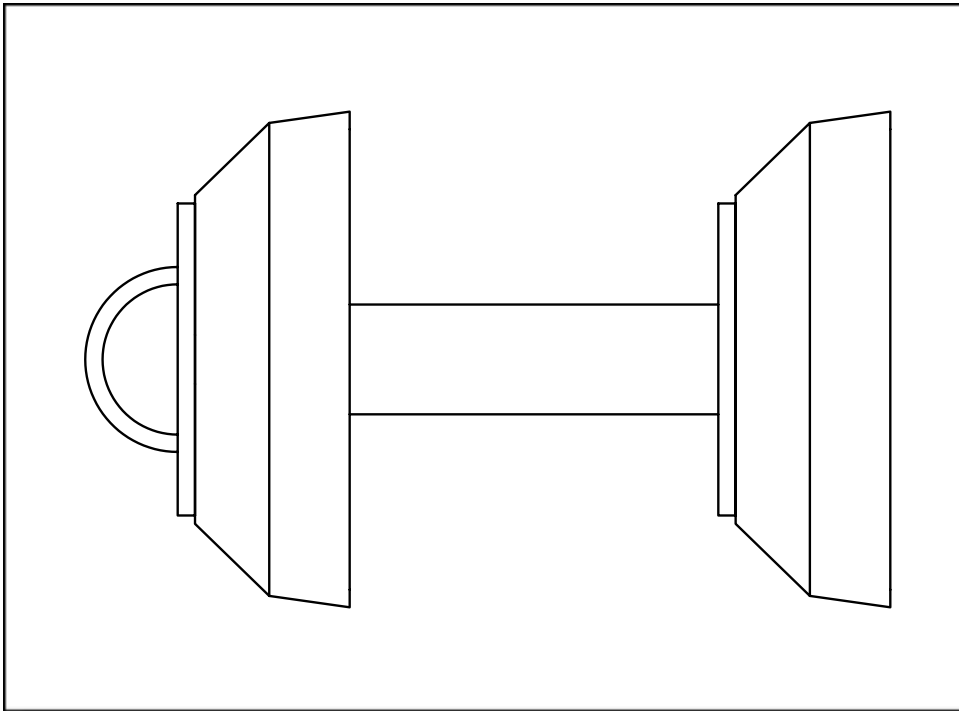
apache
pipeline products

Section 3



Conical Cup Pigs




Batching Pigs

UM2

3" - 14"
76mm - 356mm


Options

The 3" through 14" **UM** series are all designed with a strong through bolt center mandrel. Other available options for these pigs:

- Gauging plates of aluminum or steel, and either in slotted or standard styles.

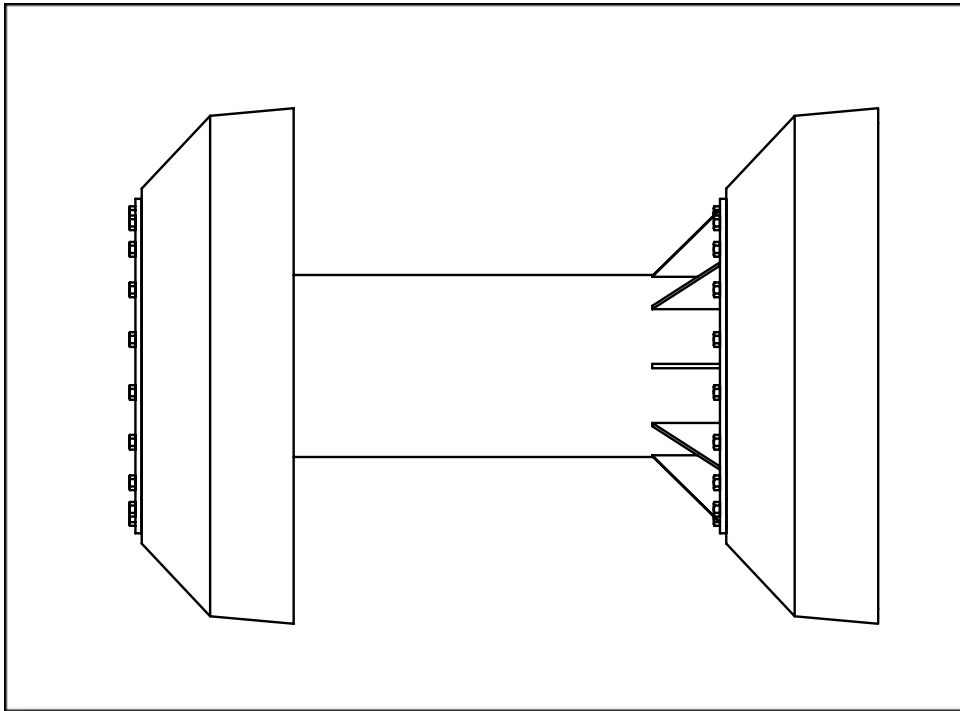
Contact Apache for recommendations for your specific applications.


Description

The **UM** series are well-built, steel bodied pigs designed for a variety of pipeline applications. General uses include batching, condensation removal, purging or light cleaning. These batching pigs will also traverse pipeline anomalies of up to 25% without damage to the inline auxiliary equipment.


Features

The **UM** series are also available in 3 or 4 cup configurations. Apache conical cups are made from castable urethane elastomers which are known for their toughness and abrasion resistance. Few materials can even approach the physical properties of our cup.



Description

The **UM** series are well-built, steel bodied pigs designed for a variety of pipeline applications. General uses include batching, condensation removal, purging or light cleaning. These batching pigs will also traverse pipeline anomalies of up to 25% without damage to the inline auxiliary equipment.

Features

The **UM** series are also available in 3 or 4 cup configurations for longer pig runs.

The **UMX** version consists of easily mounted cleaning brushes or blades to further enhance the cleaning function of the pig.

Batching Pigs

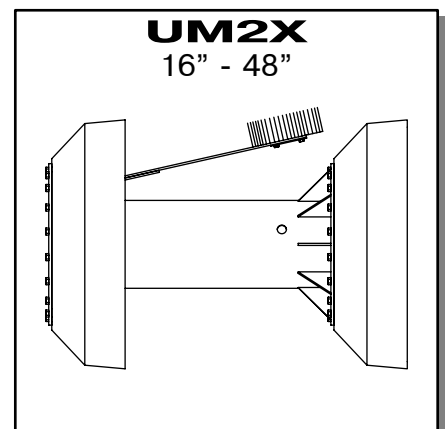
UM2

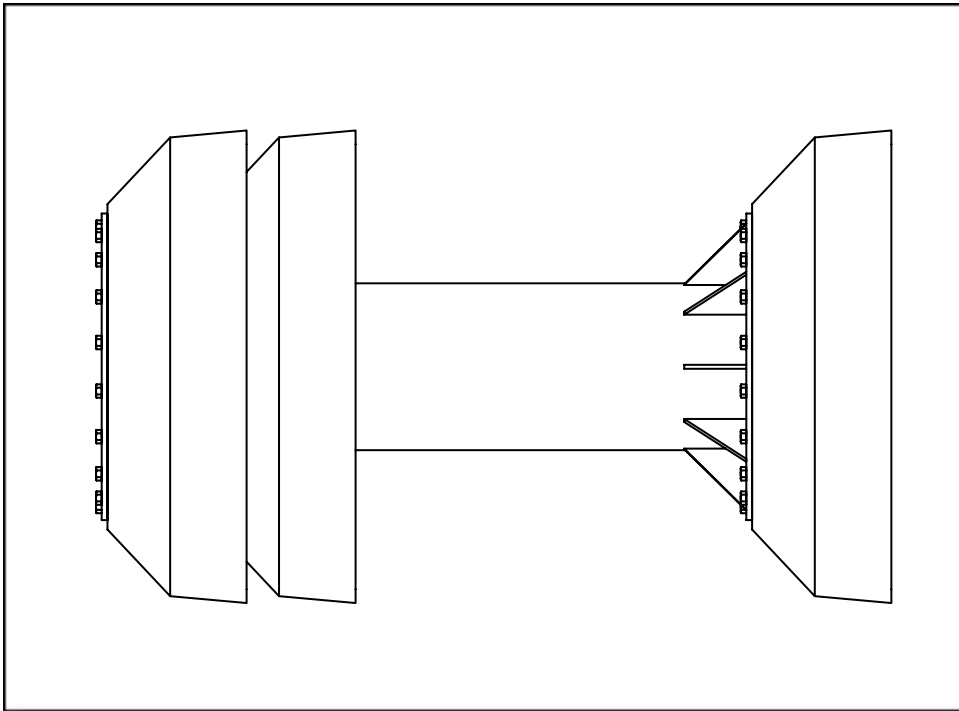
16" - 48"
406mm - 1219mm

Options

- Gauging plates of aluminum or steel, and either in slotted or standard styles.
- Spring loaded wire brushes or blades for the removal of unwanted paraffin or debris.
- Transmitter housings to accommodate tracking equipment.
- By-pass holes to control the pig's speed or as jet ports to keep debris suspended in front of the pig.

Cleaning Pigs




Batching Pigs

UM3

3" - 14"
76mm - 356mm


Options

The 3" through 14" **UM** series are all designed with a strong through bolt center mandrel. Other available options for these pigs:

- Gauging plates of aluminum or steel, and either in slotted or standard styles.

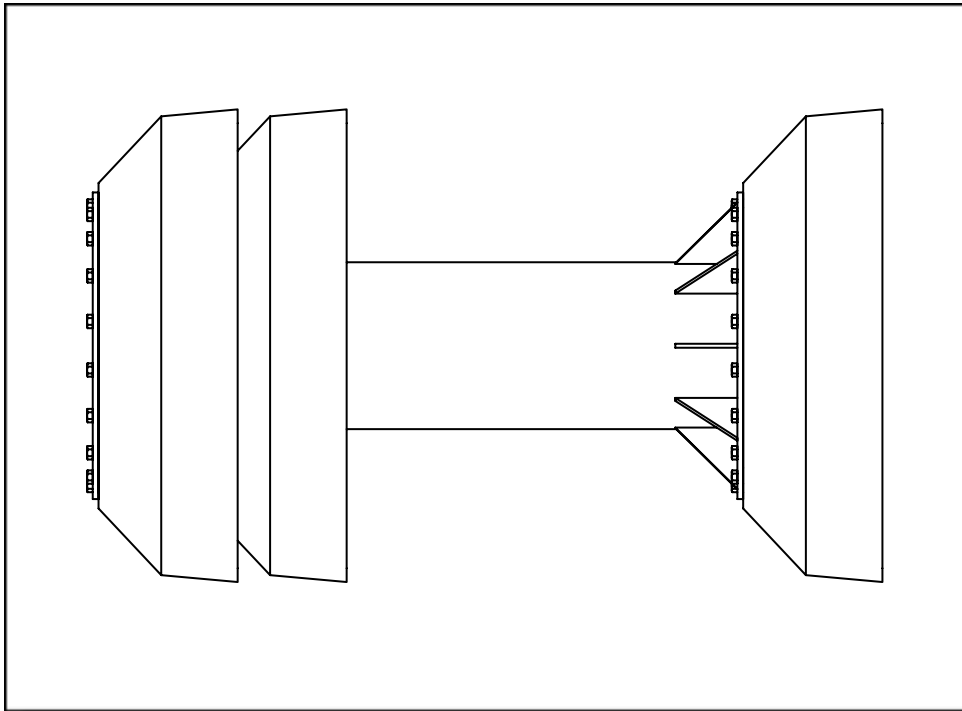
Contact Apache for recommendations for your specific applications.


Description

The **UM** series are well-built, steel bodied pigs designed for a variety of pipeline applications. General uses include batching, condensation removal, purging or light cleaning. These batching pigs will also traverse pipeline anomalies of up to 25% without damage to the inline auxiliary equipment.


Features

The **UM** series are also available in 2 or 4 cup configurations. Apache conical cups are made from castable urethane elastomers which are known for their toughness and abrasion resistance. Few materials can even approach the physical properties of our cup.


Batching Pigs

UM3

16" - 48"
406mm - 1219mm


Options

- Gauging plates of aluminum or steel, and either in slotted or standard styles.
- Spring loaded wire brushes or blades for the removal of unwanted paraffin or debris.
- Transmitter housings to accommodate tracking equipment.
- By-pass holes to control the pig's speed or as jet ports to keep debris suspended in front of the pig.

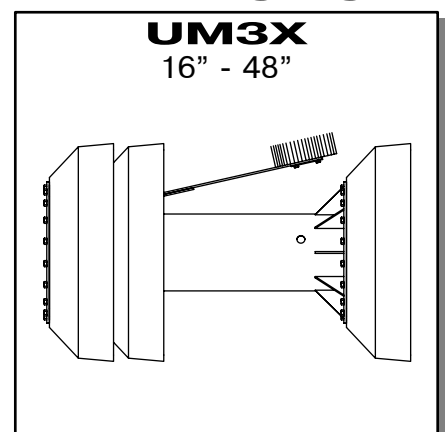

Description

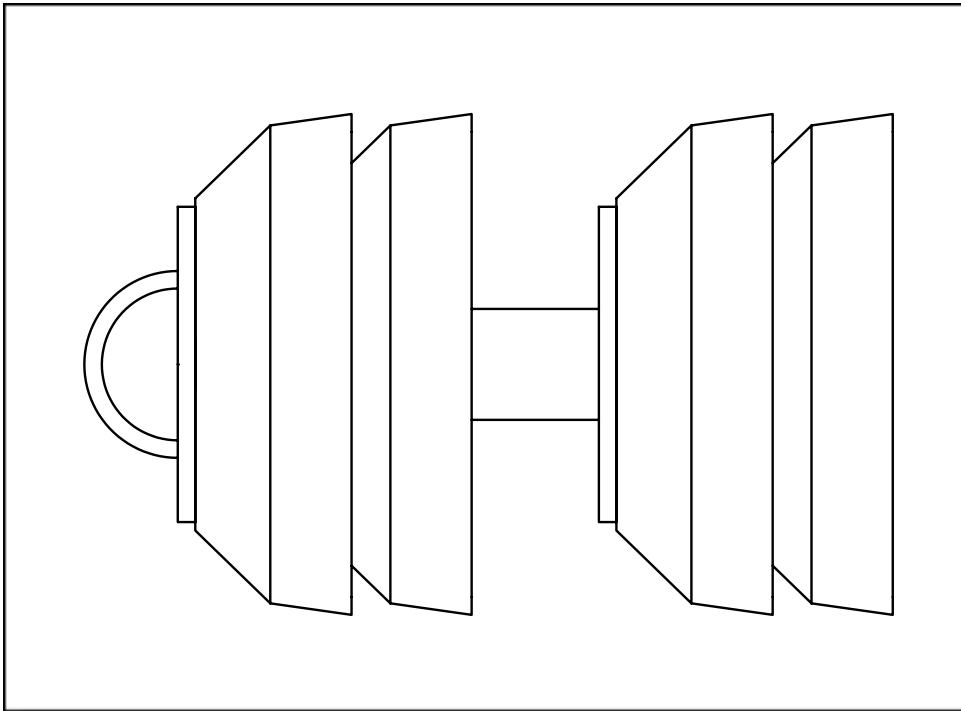
The **UM** series are well-built, steel bodied pigs designed for a variety of pipeline applications. General uses include batching, condensation removal, purging or light cleaning. These batching pigs will also traverse pipeline anomalies of up to 25% without damage to the inline auxiliary equipment.


Features

The **UM** series are also available in 3 or 4 cup configurations for longer pig runs.

The **UMX** version consists of easily mounted cleaning brushes or blades to further enhance the cleaning function of the pig.

Cleaning Pigs



Batching Pigs

UM4

3" - 14"
76mm - 356mm


Options

The 3" through 14" **UM** series are all designed with a strong through bolt center mandrel. Other available options for these pigs:

- Gauging plates of aluminum or steel, and either in slotted or standard styles.

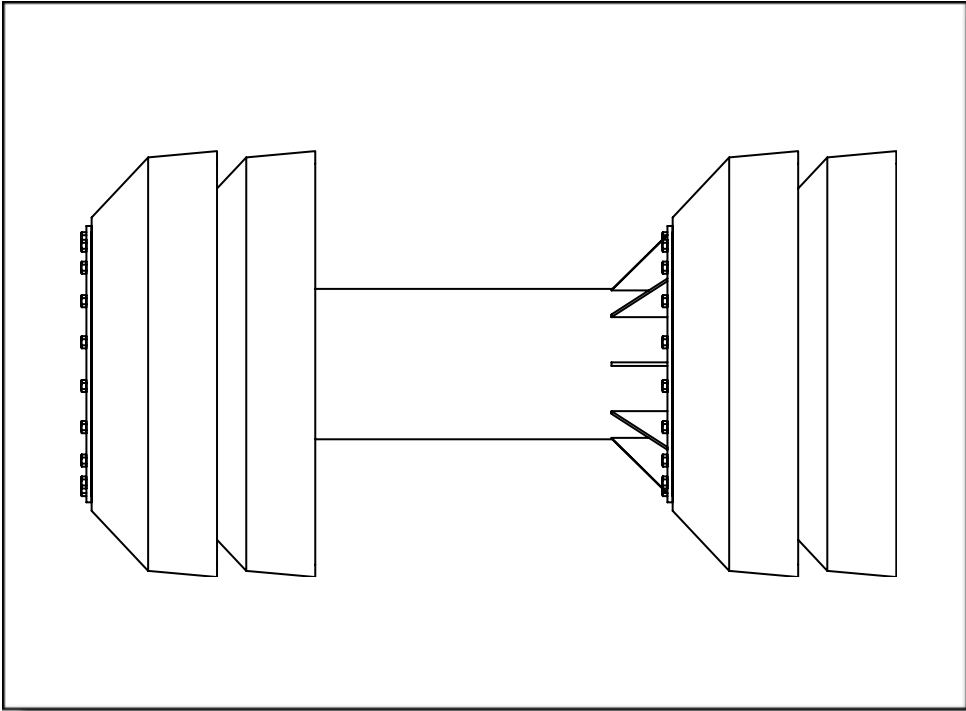
Contact Apache for recommendations for your specific applications.


Description

The **UM** series are well-built, steel bodied pigs designed for a variety of pipeline applications. General uses include batching, condensation removal, purging or light cleaning. These batching pigs will also traverse pipeline anomalies of up to 25% without damage to the inline auxiliary equipment.


Features

The **UM** series are also available in 2 or 3 cup configurations. Apache conical cups are made from castable urethane elastomers which are known for their toughness and abrasion resistance. Few materials can even approach the physical properties of our cup.



Batching Pigs

UM4

16" - 48"
406mm - 1219mm

Options

- Gauging plates of aluminum or steel, and either in slotted or standard styles.
- Spring loaded wire brushes or blades for the removal of unwanted paraffin or debris.
- Transmitter housings to accomodate tracking equipment.
- By-pass holes to control the pig's speed or as jet ports to keep debris suspended in front of the pig.

Description

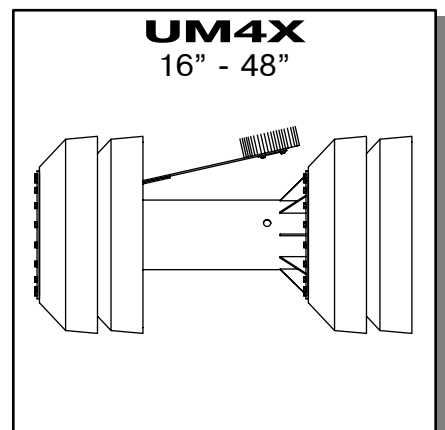
The **UM** series are well-built, steel bodied pigs designed for a variety of pipeline applications. General uses include batching, condensation removal, purging or light cleaning. These batching pigs will also traverse pipeline anomalies of up to 25% without damage to the inline auxiliary equipment.

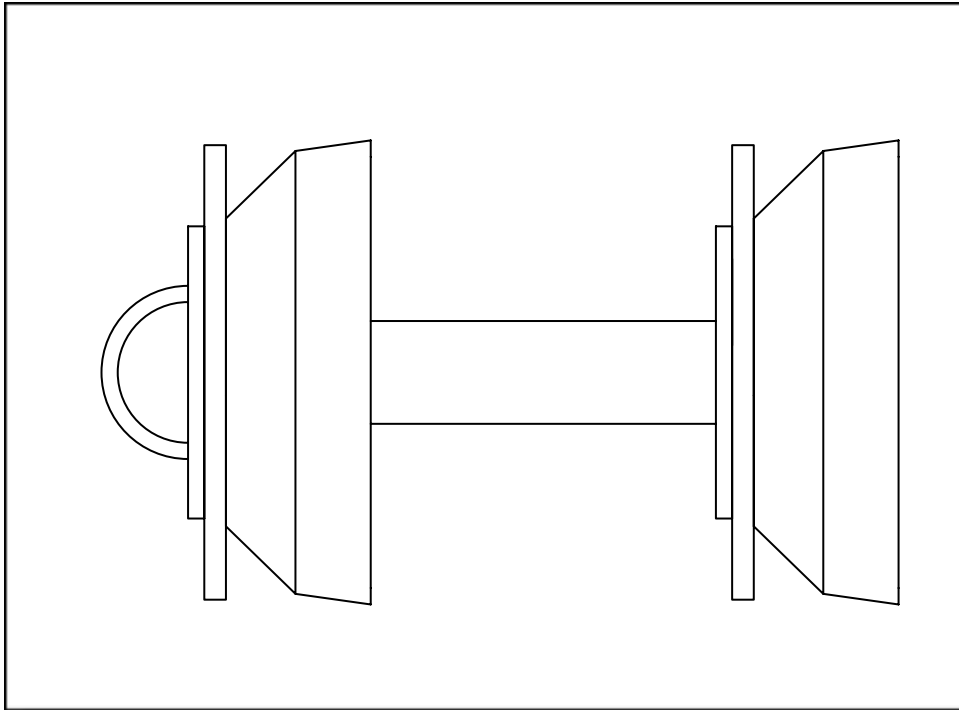
Features

The **UM** series are also available in 3 or 4 cup configurations for longer pig runs.

The **UMX** version consists of easily mounted cleaning brushes or blades to further enhance the cleaning function of the pig.

Cleaning Pigs




Batching Pigs

DMD

3" - 14"
76mm - 356mm


Options

The 3" through 14" **DMD** series are all designed with a strong through bolt center mandrel. Other available options for these pigs:

- Gauging plates of aluminum or steel, and either in slotted or standard styles.

Contact Apache for recommendations for your specific applications.


Description

The **DMD** series is a take off of our **UM** series with all the same benefits offered. The addition of sealing discs improve performance in batching applications, removal of paraffin, or removing debris in natural gas pipelines. These batching pigs will also traverse pipeline anomalies of up to 25% without damage to the inline auxiliary equipment.


Features

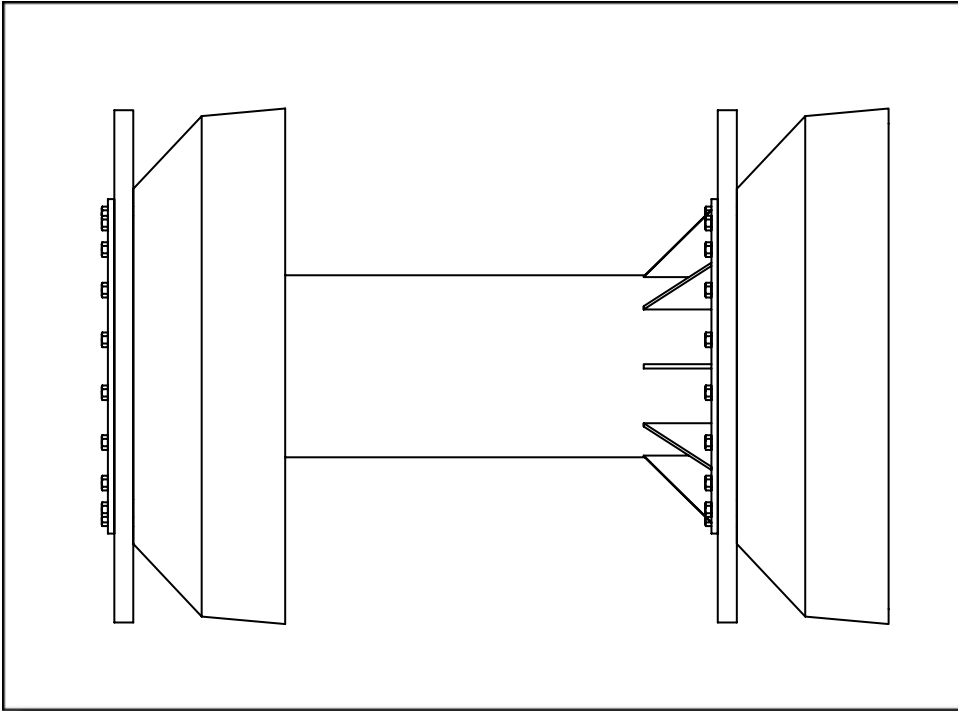
The **DMD** series allow for additional wear resistance against the cup with the sealing discs providing additional pig support which is important on excessively long runs.



apache

pipeline products

Conical Cup Pigs



Batching Pigs

DMD

16" - 48"

406mm - 1219mm

Options

- Gauging plates of aluminum or steel, and either in slotted or standard styles.
- Spring loaded wire brushes or blades for the removal of unwanted paraffin or debris.
- Transmitter housings to accommodate tracking equipment.
- By-pass holes to control the pig's speed or as jet ports to keep debris suspended in front of the pig.

Description

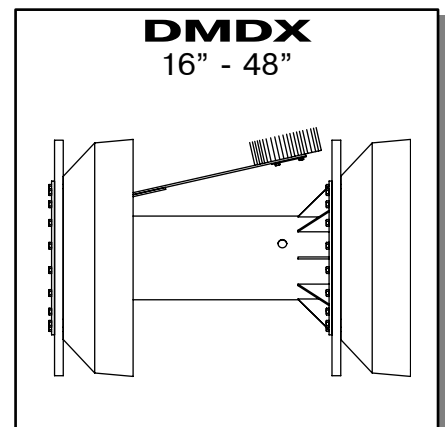
The **DMD** series is a take off of our **UM** series with all the same benefits offered. The addition of sealing discs improve performance in batching applications, removal of paraffin, or removing debris in natural gas pipelines. These batching pigs will also traverse pipeline anomalies of up to 25% without damage to the inline auxiliary equipment.

Features

The **DMD** series allow for additional wear resistance against the cup with the sealing discs providing additional pig support which is important on excessively long runs.

The **DMDX** version consists of easily mounted cleaning brushes or blades to further enhance the cleaning function of the pig.

Cleaning Pigs



DMDX

16" - 48"