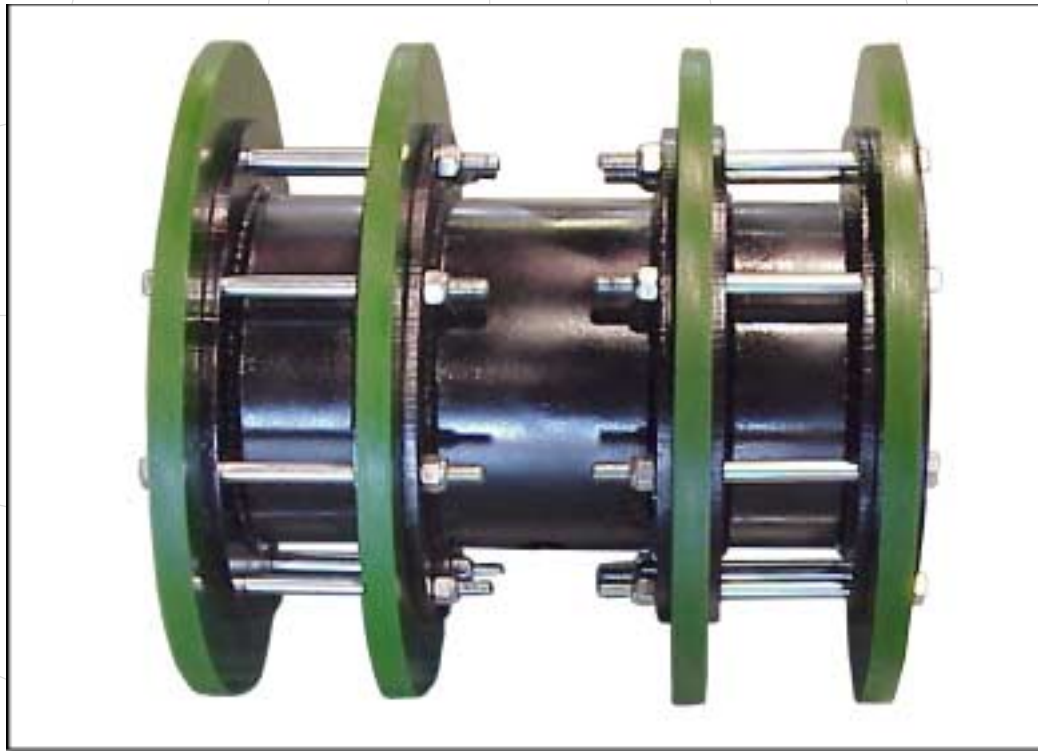


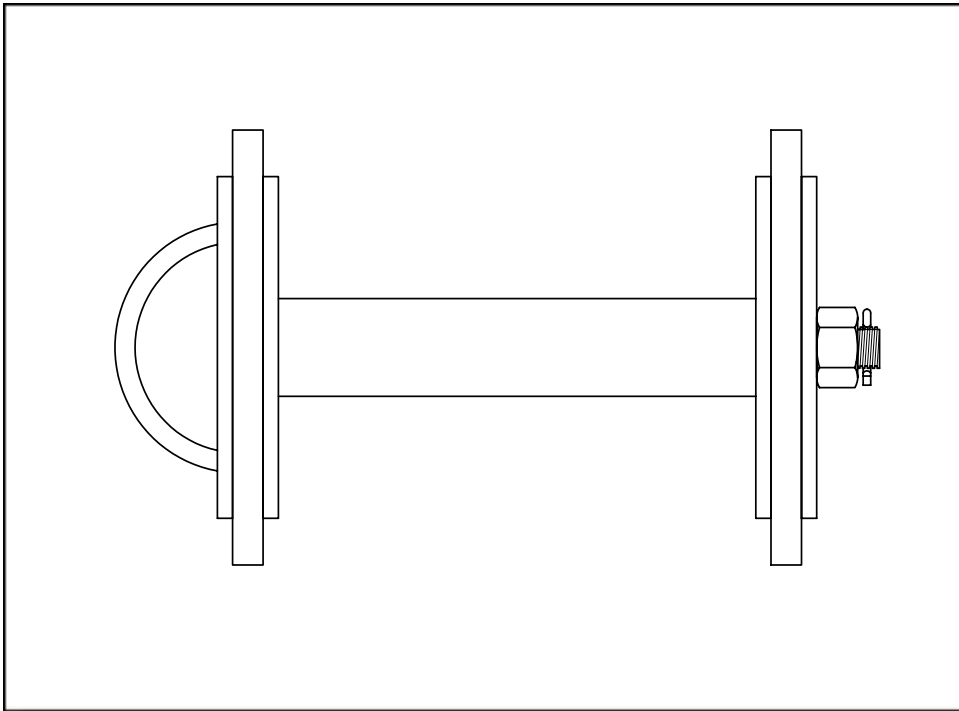


apache
pipeline products

Section 1

Bi-Directional Pigs




Displacement Pigs

MD2

2" - 14"
51mm - 356mm


Options

The **MD** series are available in either the standard **MD2** or the heavy duty **MD4** design and in sizes 2" through 48".

- Bumper noses are available to prevent damage to both the pig and in-line auxiliary equipment.
- Gauging plates can be custom made to suit your application and are available in aluminum or steel, slotted or standard.


Description

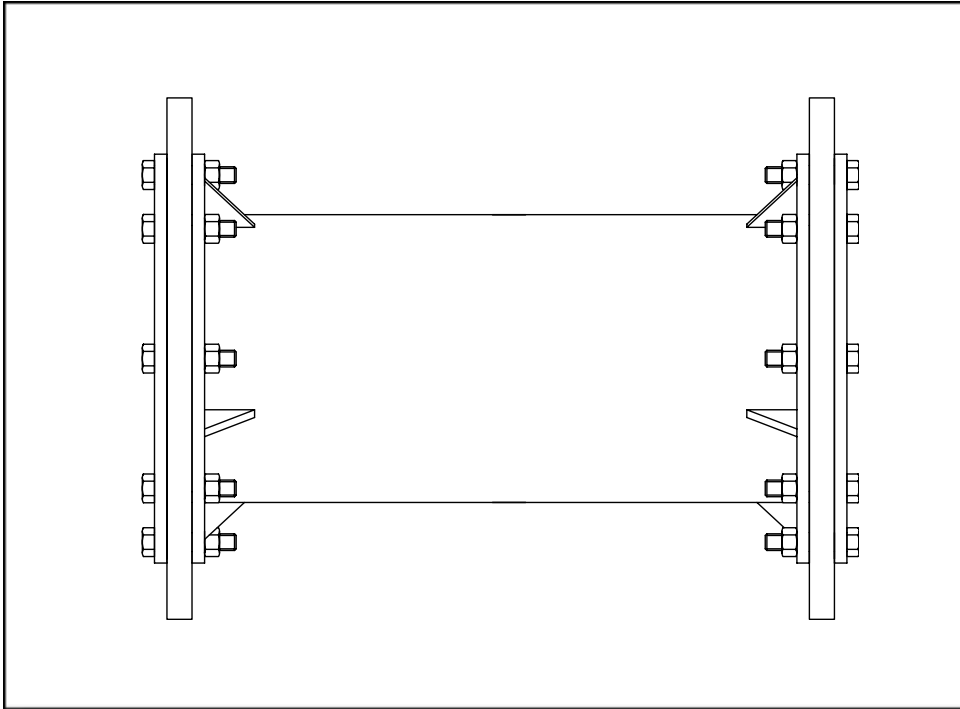
The **MD** bi-directional pigs are designed to be both economical and efficient for use in medium length pipeline construction applications such as water displacement, swabbing or line clearance duties.

Also useful for separation, batching and during the hydrostatic test stage of construction. Designed to run in either direction, the operator can both fill the line with water and then displace the water without removing the pig.


Features

MD series, in sizes 14" and smaller, have a through bolt mandrel design, complete with a pull hook. The pigs can be equipped with two or four discs to suit the application. Typically the longer the pig run the more discs you would install.

Sealing discs experiencing wear after traveling one direction, can reverse direction without compromising their sealing characteristics. All discs are produced from Apache's special blend of wear resistant polyurethane.


Displacement Pigs

MD2

16" - 48"
406mm - 1219mm


Options

The **MD** series are available in either the standard **MD2** or the heavy duty **MD4** design and in sizes 2" through 48".

- Bumper noses are available to prevent damage to both the pig and in-line auxiliary equipment.
- Gauging plates can be custom made to suit your application and are available in aluminum or steel, slotted or standard.
- Transmitter cavities for tracking equipment can be custom fit for most sizes.


Description

The **MD** bi-directional pigs are designed to be both economical and efficient for use in medium length pipeline construction applications such as water displacement, swabbing or line clearance duties.

Also useful for separation, batching and during the hydrostatic test stage of construction. Designed to run in either direction, the operator can both fill the line with water and then displace the water without removing the pig.


Features

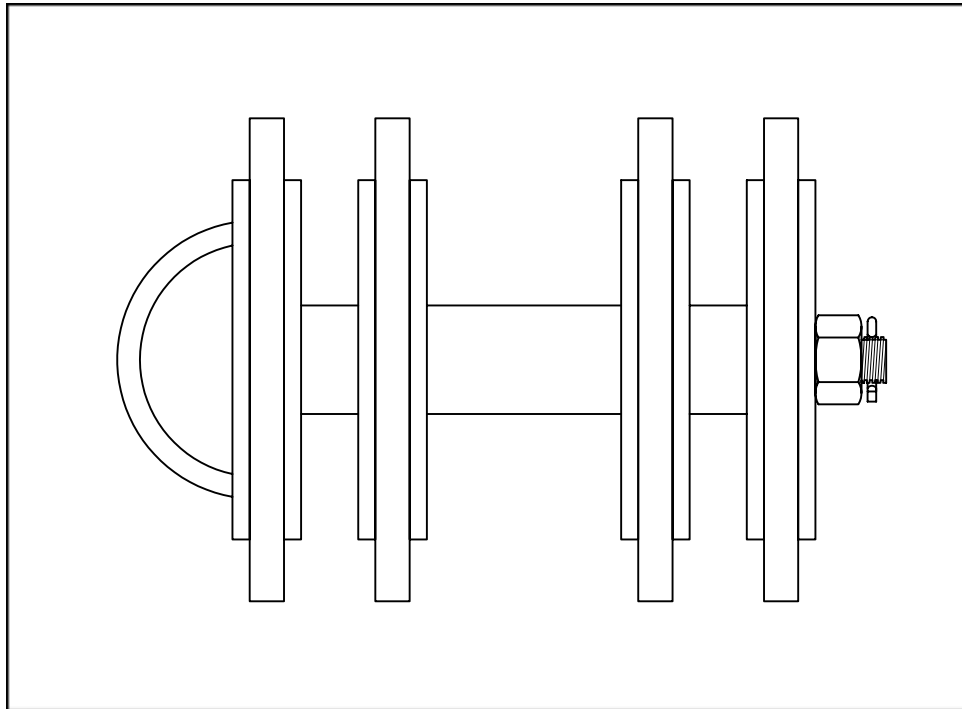
MD series, in sizes 16" and larger, are equipped with either two or four disc combinations, bolted to a rugged steel mandrel. Typically, the longer the pig run the more discs you would install.

Sealing discs experiencing wear after traveling one direction, can reverse direction without compromising their sealing characteristics. All discs are produced from Apache's special blend of wear resistant polyurethane.

**Displacement
Pigs**

MD4

2" - 14"
51mm - 356mm



Options

The **MD** series are available in either the standard **MD2** or the heavy duty **MD4** design and in sizes 2" through 48".

- Bumper noses are available to prevent damage to both the pig and in-line auxiliary equipment.
- Gauging plates can be custom made to suit your application and are available in aluminum or steel, slotted or standard.


Description

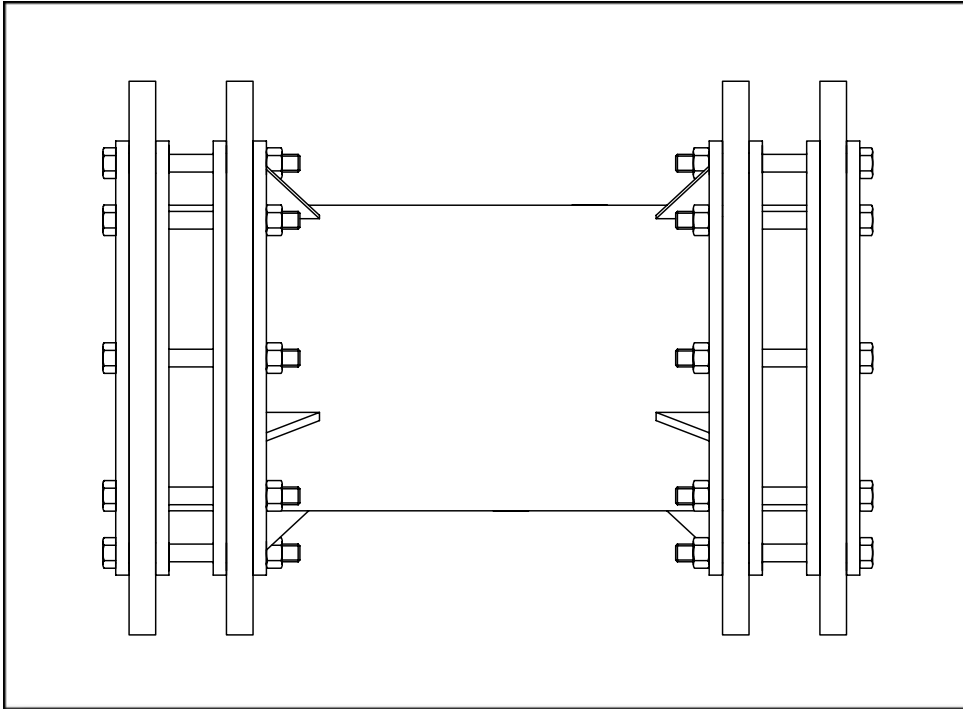
The **MD** bi-directional pigs are designed to be both economical and efficient for use in medium length pipeline construction applications such as water displacement, swabbing or line clearance duties.

Also useful for separation, batching and during the hydrostatic test stage of construction. Designed to run in either direction, the operator can both fill the line with water and then displace the water without removing the pig.


Features


MD series, in sizes 14" and smaller, have a through bolt mandrel design, complete with a pull hook. The pigs can be equipped with two or four discs to suit the application. Typically the longer the pig run the more discs you would install.

Sealing discs experiencing wear after traveling one direction, can reverse direction without compromising their sealing characteristics. All discs are produced from Apache's special blend of wear resistant polyurethane.


**Displacement
Pigs**

MD4

16" - 48"
406mm - 1219mm


Options

The **MD** series are available in either the standard **MD2** or the heavy duty **MD4** design and in sizes 2" through 48".

- Bumper noses are available to prevent damage to both the pig and in-line auxiliary equipment.
- Gauging plates can be custom made to suit your application and are available in aluminum or steel, slotted or standard.
- Transmitter cavities for tracking equipment can be custom fit for most sizes.


Description

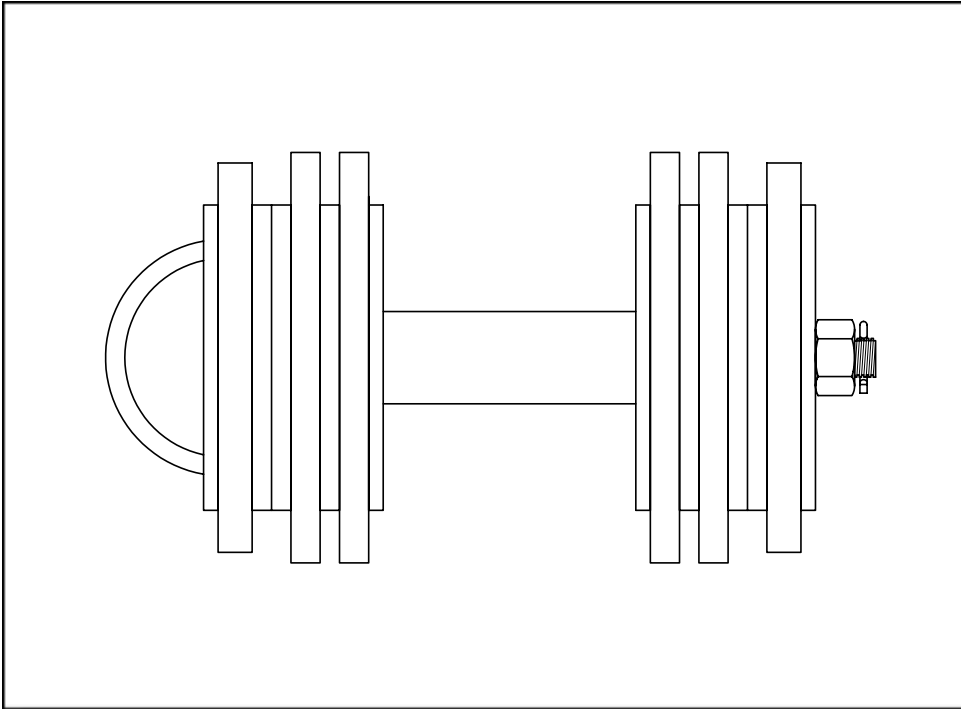
The **MD** bi-directional pigs are designed to be both economical and efficient for use in medium length pipeline construction applications such as water displacement, swabbing or line clearance duties.

Also useful for separation, batching and during the hydrostatic test stage of construction. Designed to run in either direction, the operator can both fill the line with water and then displace the water without removing the pig.


Features

MD series, in sizes 16" and larger, are equipped with either two or four disc combinations, bolted to a rugged steel mandrel. Typically the longer the pig run the more discs you would install.

Sealing discs experiencing wear after traveling one direction, can reverse direction without compromising their sealing characteristics. All discs are produced from Apache's special blend of wear resistant polyurethane.



Description

The **ED** pigs are bi-directional in design and used primarily for air and water displacement applications during the pressure test stage of construction. Designed to travel in either direction, the operator can fill the line with water and displace the water without removing the pig.


Features

The **ED** version, with a combination of 4 sealing discs and 2 guide discs, offers a sealing arrangement suitable for separation of dissimilar fluids or for dewatering during hydrostatic testing. Sealing discs experiencing wear can reverse direction without compromising sealing characteristics. The addition of a circular wire brushes (in **EDR** models) enhances the versatility of the **ED** series.

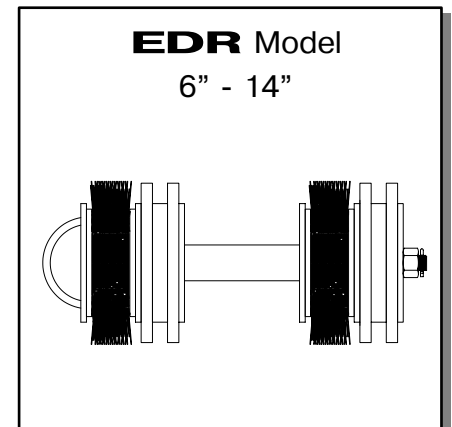
Displacement Pigs

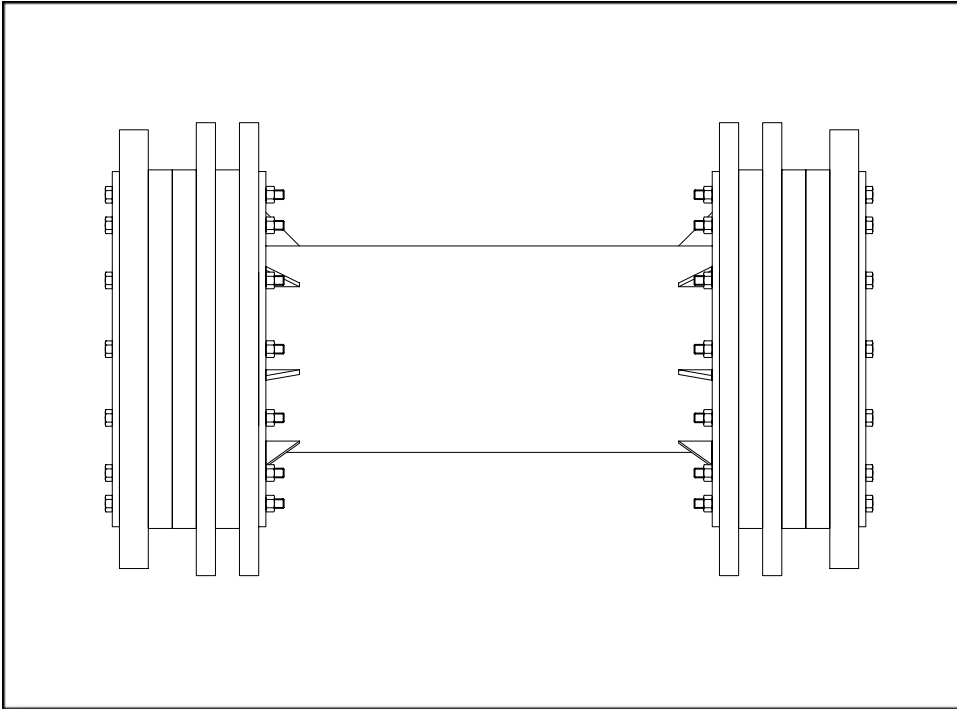
ED

6" - 14"
152mm - 356mm


Options

- Circular flat carbon steel, stainless steel or plastic brushes.
- Bumper noses are available to prevent damage to both the pig and in-line auxiliary equipment.
- Aluminum or steel gauging plates are available in either slotted or standard styles.

Cleaning Pigs




Description

The **ED** pigs are bi-directional in design and used primarily for air and water displacement applications during the pressure test stage of construction. Designed to travel in either direction, the operator can fill the line with water and displace the water without removing the pig.

Features

The **ED** version, with a combination of 4 sealing and 2 guide discs, offers a sealing arrangement suitable for separation of dissimilar fluids or for dewatering during hydrostatic testing. Sealing discs experiencing wear can reverse direction without compromising sealing characteristics. Simple replacement of a disc with a circular wire brushes (in **EDR** model) enhances the versatility of the **ED** series.

Displacement Pigs

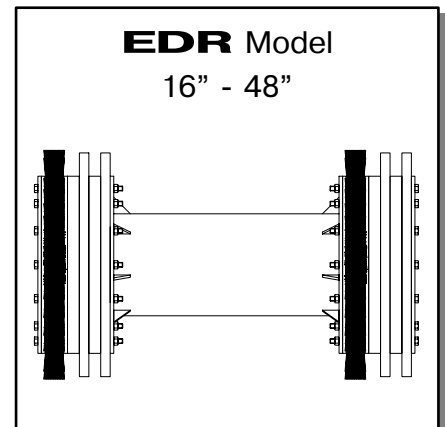
ED

16" - 48"
406mm - 1219mm

Options

- Circular flat carbon steel, stainless steel or plastic brushes.
- Transmitter housing to accommodate tracking equipment.
- Bumper noses are available to prevent damage to both the pig and in-line auxiliary equipment.
- Aluminum or steel gauging plates are available in either slotted or standard styles.

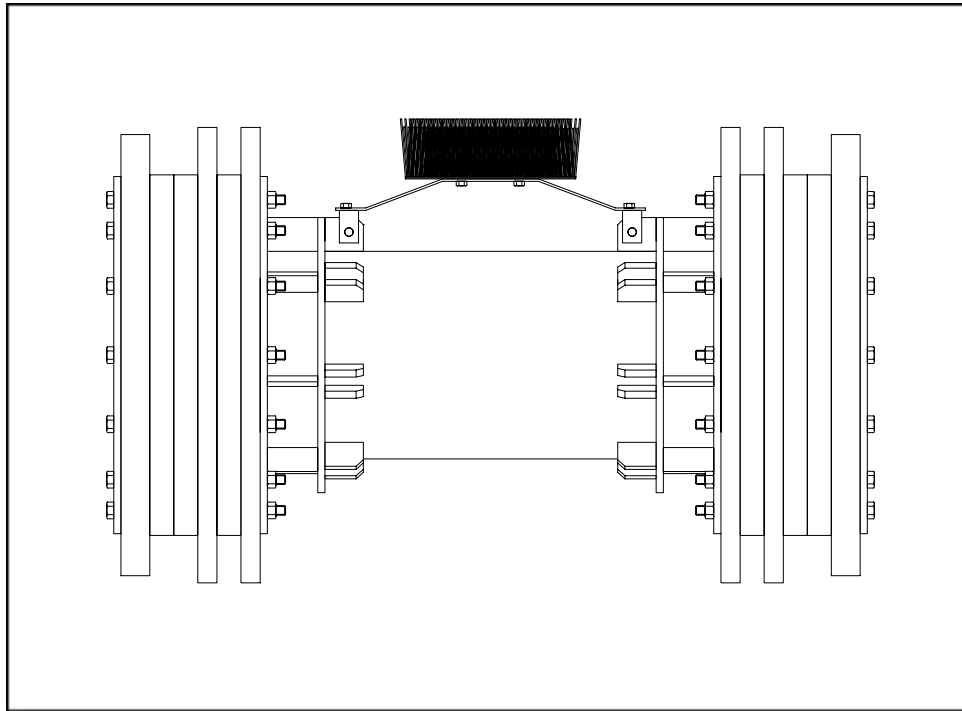
Cleaning Pigs



Cleaning Pigs

EDX

16" - 48"
406mm - 1219mm



Options

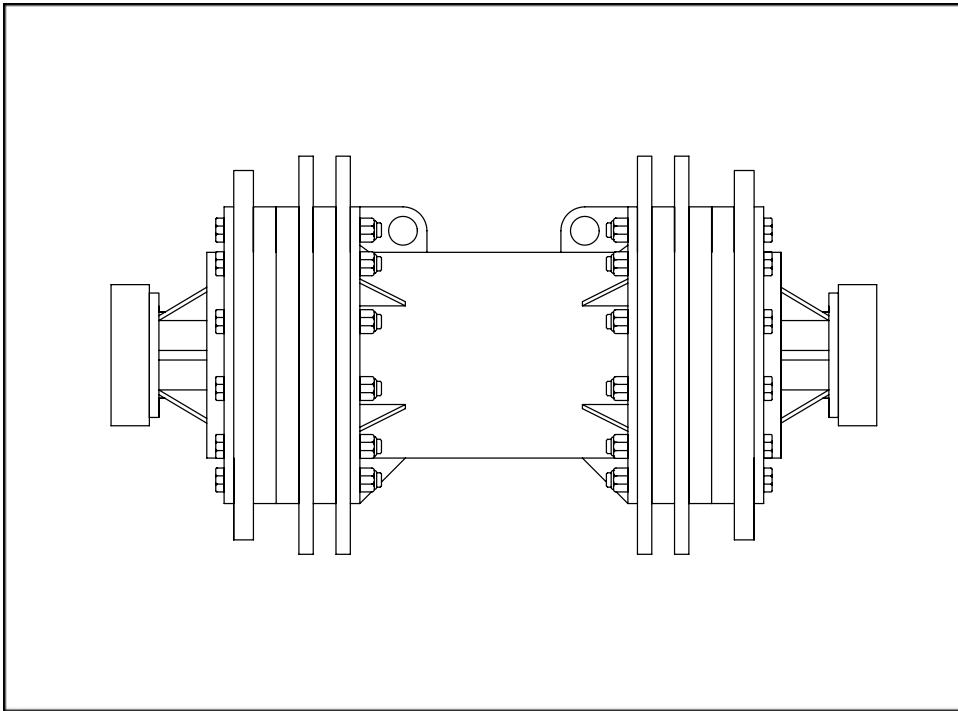
- Bi-directional carbon steel, stainless steel or plastic brushes.
- Plate magnets can be easily mounted to recover any ferrous debris in the pipeline.
- Transmitter cavity for tracking equipment.
- Protector bumper noses.
- Aluminum or steel gauging plates are available in either slotted or standard.


Description

The **EDX** series of cleaning pigs are designed for the bi-directional cleaning of newly constructed lines or for existing lines where scale and debris are present. It is also an excellent choice for air or water displacement applications during the pressure test stage of construction.


Features

EDX is an economical 6 disc bi-directional pig which offers an optimum seal and also allows for aggressive cleaning with wear compensating, spring loaded brushes. The pigs are equipped with durable guide discs designed to center the sealer discs in the line, forming a quadruple seal that virtually eliminates product by-pass.



Description

Apache's **MDK** bi-directional pigs are designed for use in long-run pipeline construction applications during the hydrostatic test stage. Designed to travel in either direction, the operator can fill the line with water and displace the water without removing the pig. The **MDK** mandrels are engineered to easily be adapted to a cleaning pig by the addition of flat steel wire brushes.

Features

MDK pigs have both an inner mandrel and outer mandrel. The **MDK**'s dual mandrel is favoured by contractors, as the inner mandrel withstands the battering inherent during construction phases, while the outer disc carrying mandrel remains untouched.

The pigs are equipped with durable guide discs, one at each end. They provide a positive centering affect which allow the four sealing discs in the center to effectively seal during the displacement period. Apache bumper noses are also included with **MDK** pigs. They prevent damage of expensive in-line auxiliary equipment. Transmitter cavities and handling hooks are other standard features on the **MDK**.

Displacement Pigs

MDK

16" - 48"
406mm - 1219mm

Options

- Spring loaded brushes or blades are available between the sealing discs.
- Plate magnets can be mounted to recover any ferrous debris in the pipeline.
- Gauging plates can be custom made to suit your application and are available in aluminum or steel, slotted or standard.

Cleaning Pigs

